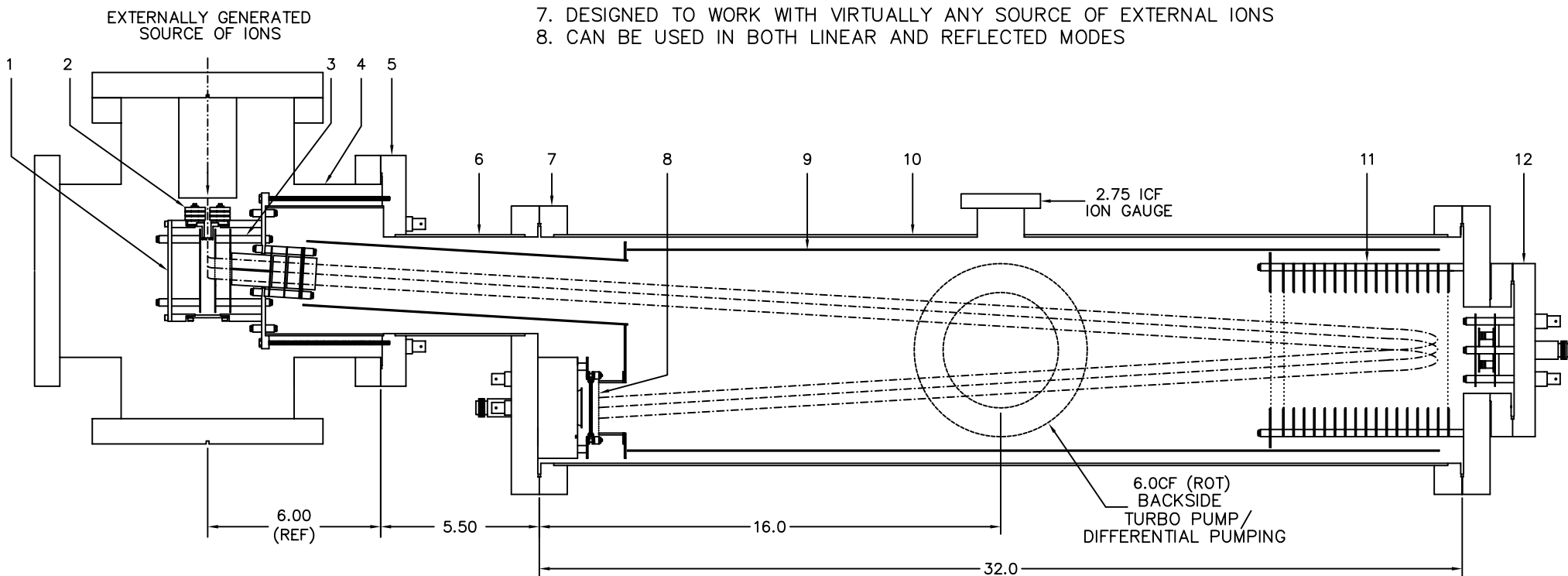


1. MODULAR, EASY TO MAINTAIN, UPGRADE
2. EXISTING INSTRUMENTS CAN BE EASILY RETROFITTED
3. DEFLECTION/FOCUS OPTICS TILTED PARALLEL TO ION BEAM
4. DEFLECTION/FOCUS OPTICS ABLE TO CORRECT FOR VARYING ENERGIES OF INCOMING IONS
5. EXTRACTION REGION IS DIFFERENTIALLY PUMPED
6. EXTRACTION REGION HAS ACCESS PORTS FOR EMT OR INTERNAL IONIZATION
7. DESIGNED TO WORK WITH VIRTUALLY ANY SOURCE OF EXTERNAL IONS
8. CAN BE USED IN BOTH LINEAR AND REFLECTED MODES



1. B-682 SHROUD/SHIELD/DIFFERENTIAL PUMPING
2. FOCUS OPTICS/COLLIMATOR
3. ION EXTRACTION/DEFLECTION/FOCUSING OPTICS
4. C-685 TEST CHAMBER
5. 8 ICF (ROT) SOURCE MOUNTING FLANGE
6. C-854 OFFSET ADAPTOR
7. 10 ICF FLANGE
8. C-726 40MM MCP Z-GAP OR DUAL DETECTOR ASSY.
9. D-679 FLIGHT TUBE LINER/SHIELD
10. C-855 FLIGHT TUBE ASSY.
11. C-852 REFLECTOR ASSY.
12. C-701 18MM MCP DUAL DETECTOR ASSY.

ORTHOGONAL ACCELERATION TOF
 JORDAN TOF PRODUCTS, INC.
 DUAL OR Z-GAP MCP DETECTOR
 REV 7-25-09