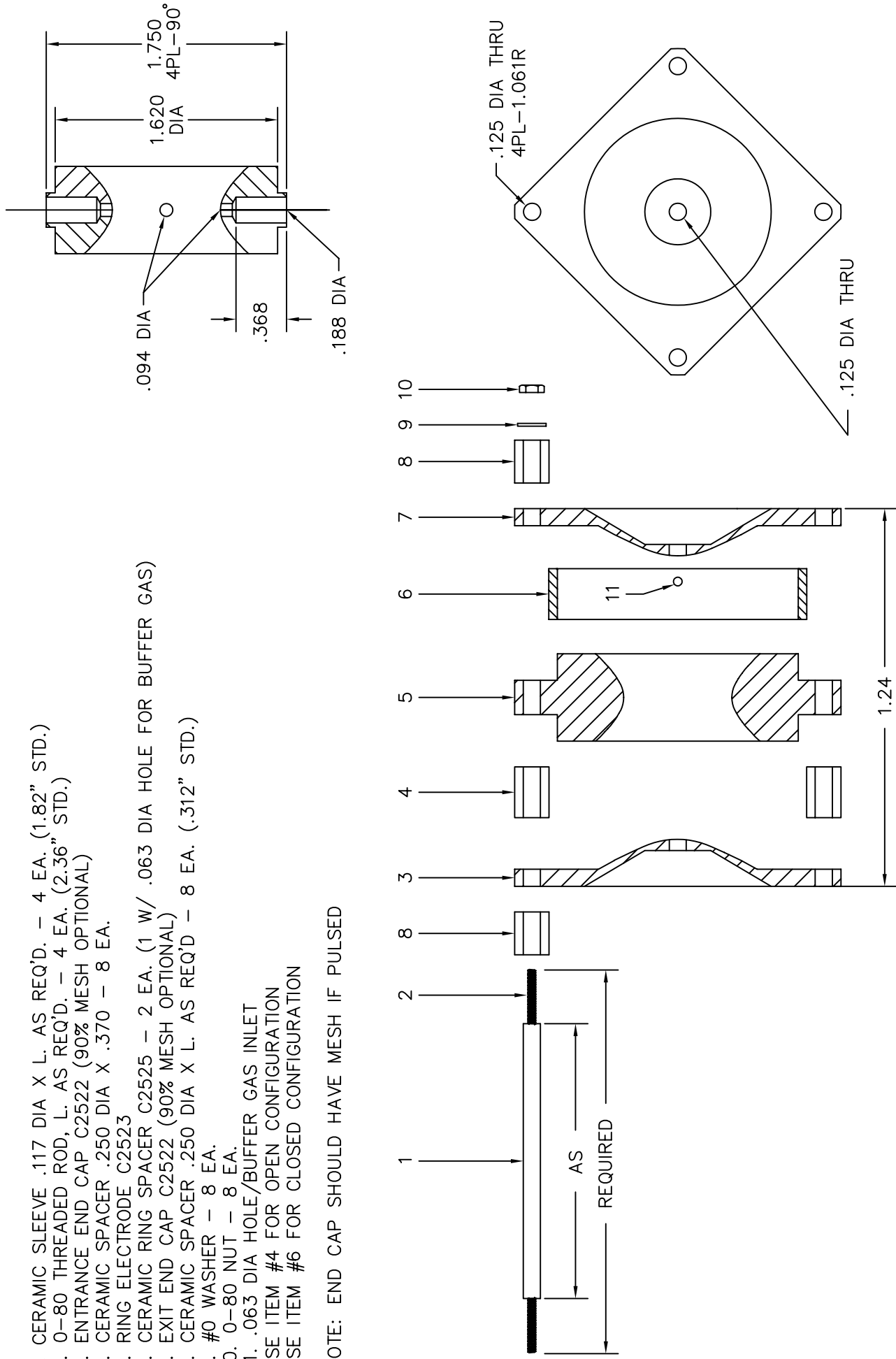
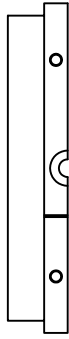
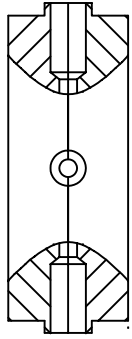


1. CERAMIC SLEEVE .117 DIA X L. AS REQ'D. - 4 EA. (1.82" STD.)
  2. O-80 THREADED ROD, L. AS REQ'D. - 4 EA. (2.36" STD.)
  3. ENTRANCE END CAP C2522 (90% MESH OPTIONAL)
  4. CERAMIC SPACER .250 DIA X .370 - 8 EA.
  5. RING ELECTRODE C2523
  6. CERAMIC RING SPACER C2525 - 2 EA. (1 W/ .063 DIA HOLE FOR BUFFER GAS)
  7. EXIT END CAP C2522 (90% MESH OPTIONAL)
  8. CERAMIC SPACER .250 DIA X L. AS REQ'D - 8 EA. (.312" STD.)
  9. #0 WASHER - 8 EA.
  10. O-80 NUT - 8 EA.
  11. .063 DIA HOLE/BUFFER GAS INLET
- USE ITEM #4 FOR OPEN CONFIGURATION  
USE ITEM #6 FOR CLOSED CONFIGURATION

NOTE: END CAP SHOULD HAVE MESH IF PULSED

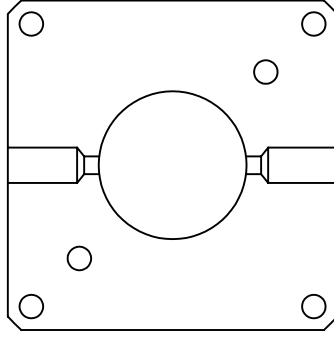
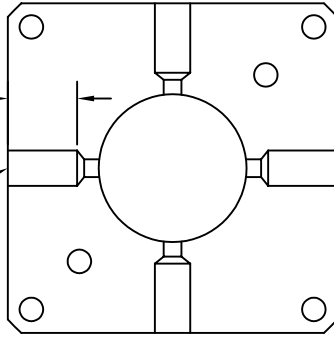
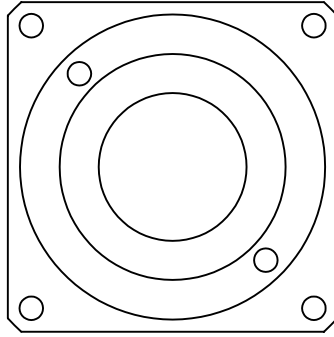


ION TRAP ASSEMBLY  
JORDAN TOF PRODUCTS, INC.  
Grass Valley, CA  
C1251 REV 9-5-18



.188 DIA X .368 DP  
+ .094 DIA THRU

.368



NO HOLES

4 HOLES-90 DEG.

2 HOLES-180 DEG.

RING ELECTRODE, ION TRAP  
JORDAN TOF PRODUCTS, INC.  
Grass Valley, CA  
ITRING